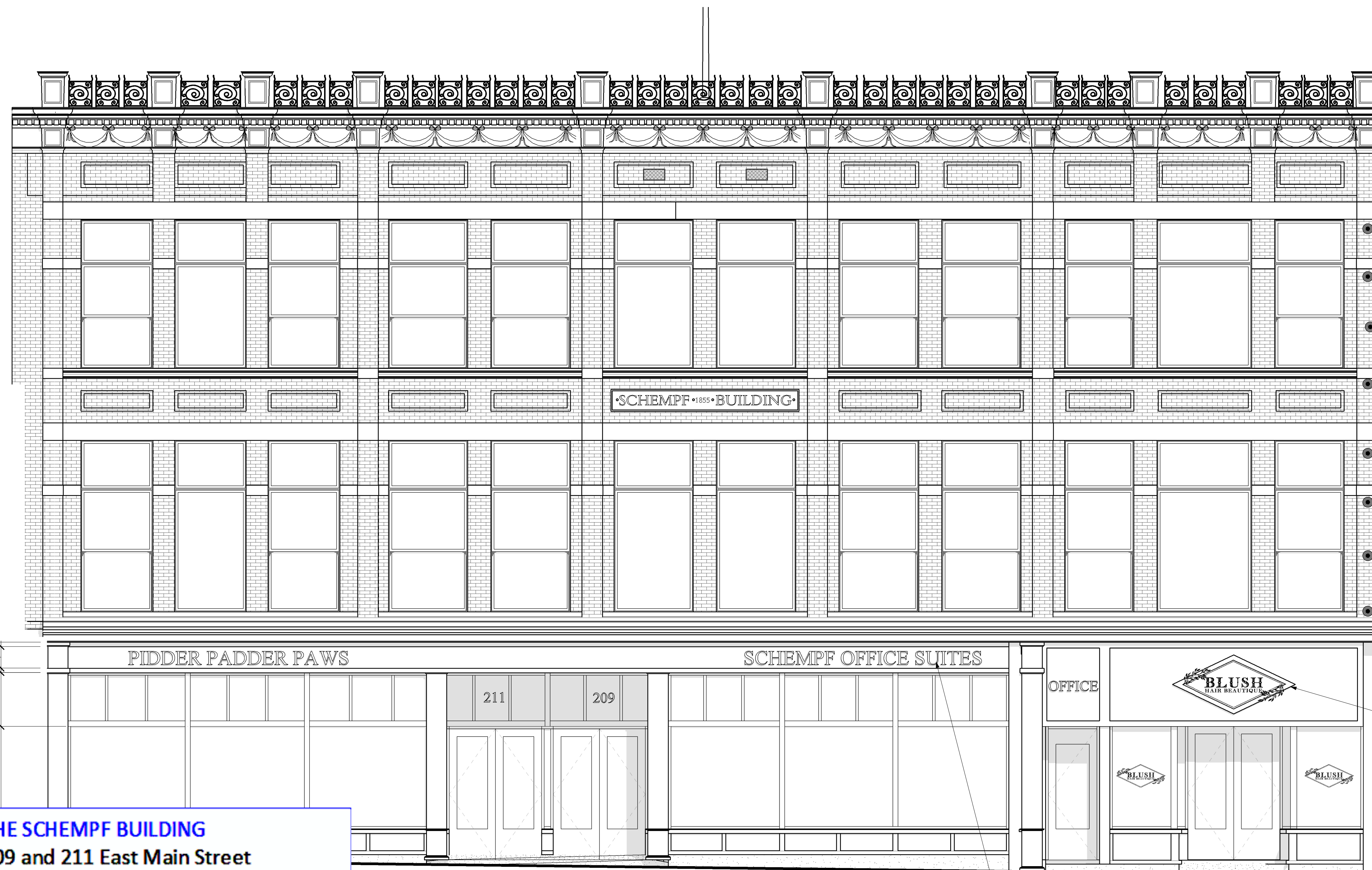


**SCHEMPF BUILDING
- STOREFRONT**

207 E MAIN ST
WATERTOWN, WI



1'-11 3/4"
1'-4 3/4"
3'-6"
12'-2"
6'-8"

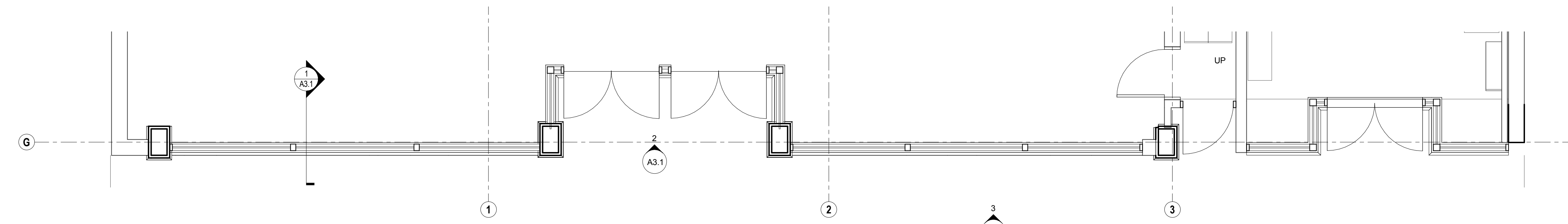
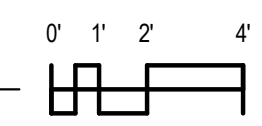
3'-10" H x 8'-0" W
SIGN BOARD,
9" LETTERS

11" HIGH
LETTERS, TYP

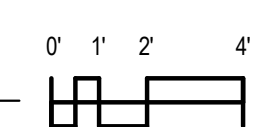
THE SCHEMPF BUILDING
207, 209 and 211 East Main Street

WHS_014_SchempfBldg_StorefrontDesign_2018.pdf
Reproduced with permission received
Watertown Historical Society

2 NORTH ELEVATION (MAIN ST)
1/4" = 1'-0"



1 FIRST FLOOR PLAN
1/4" = 1'-0"



DATE OF ISSUE: 08/01/2018

REVISIONS:

PROJECT # 14093

**BUILDING
ELEVATION**

AS1.1